

INSTRUCTION MANUAL

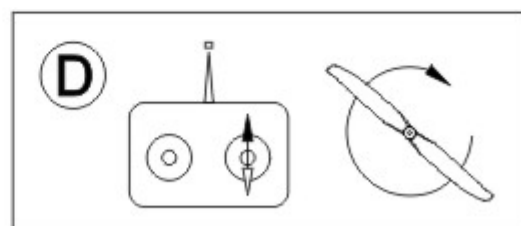
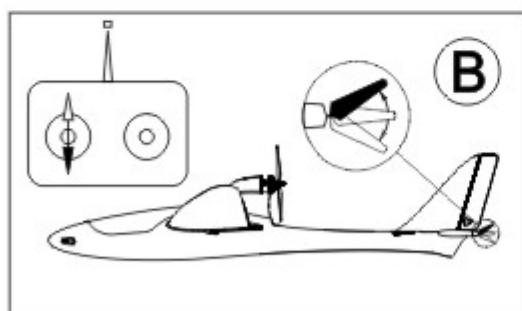
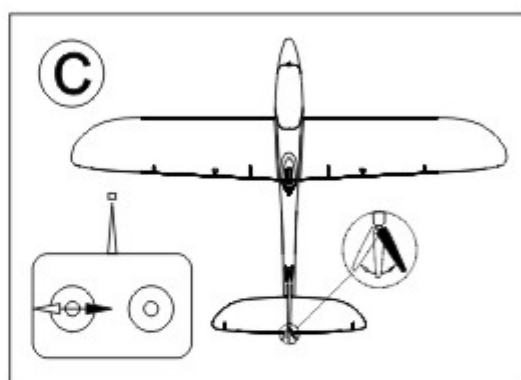
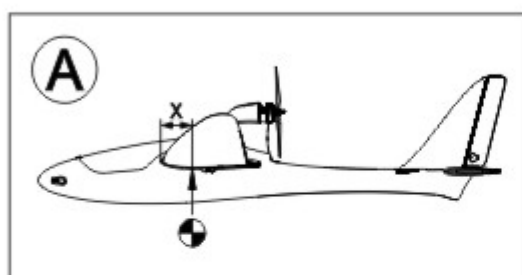
Before assembling, please read this instruction thoroughly.

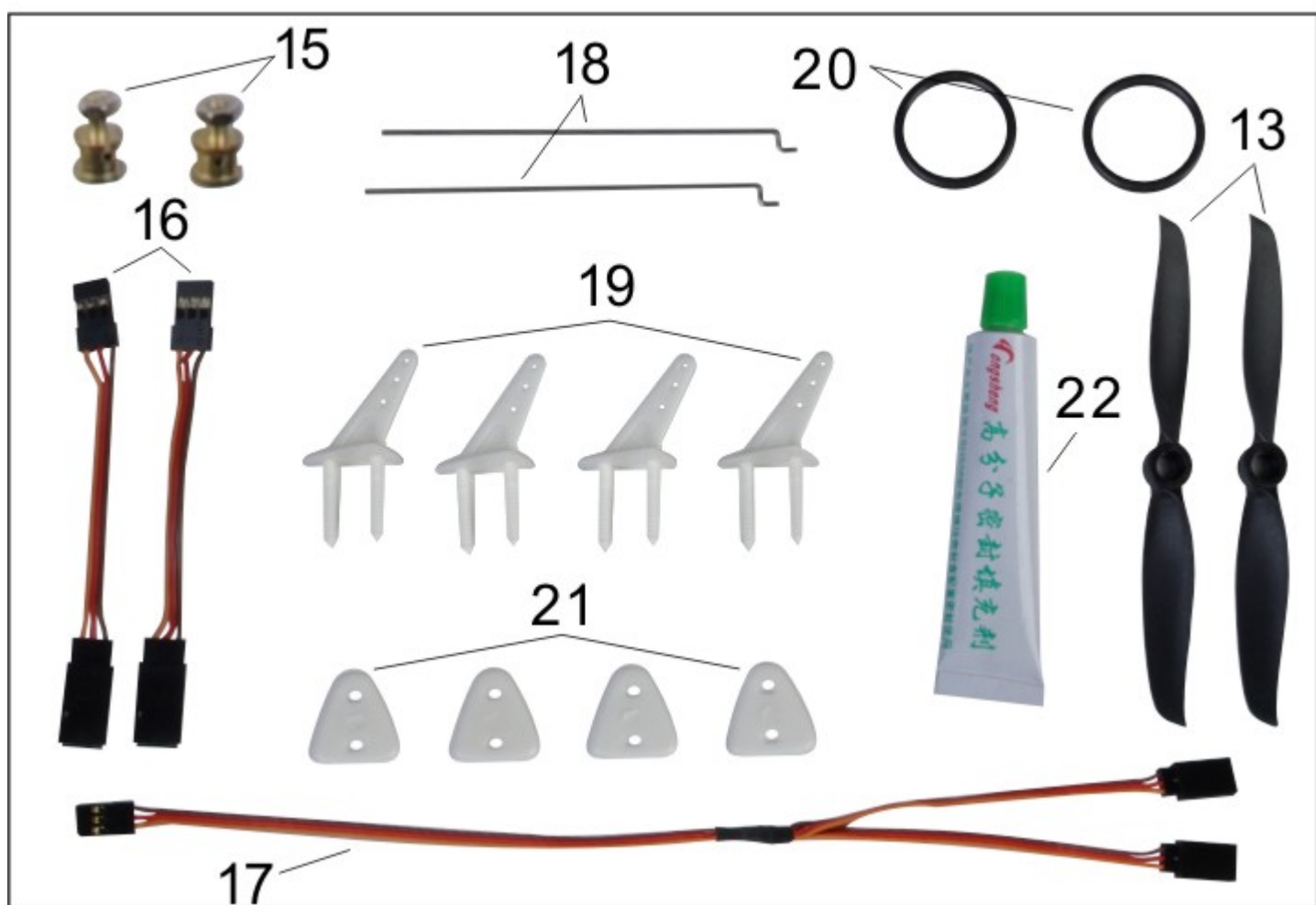
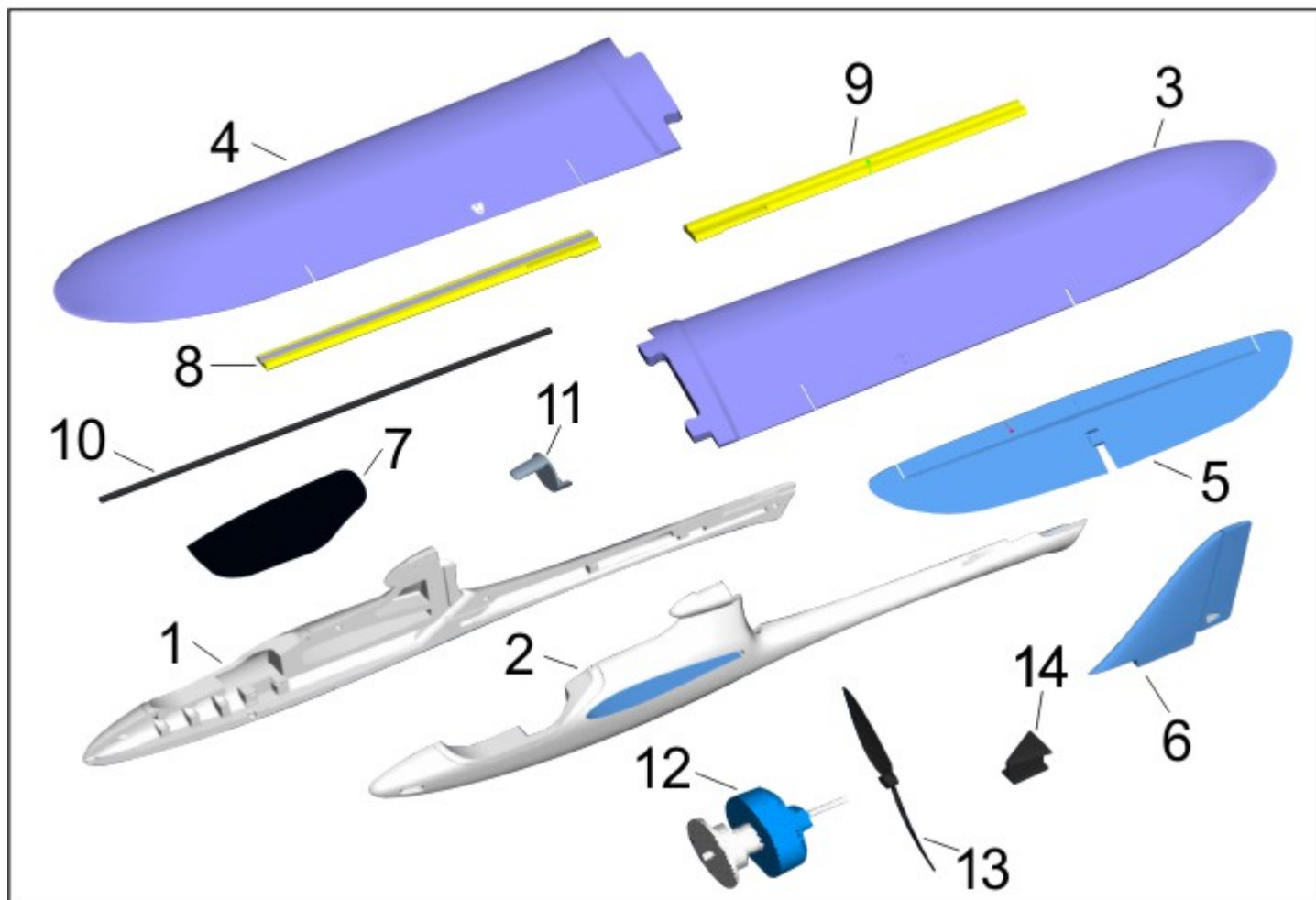
CLOUDS FLY

New **EPO** foam



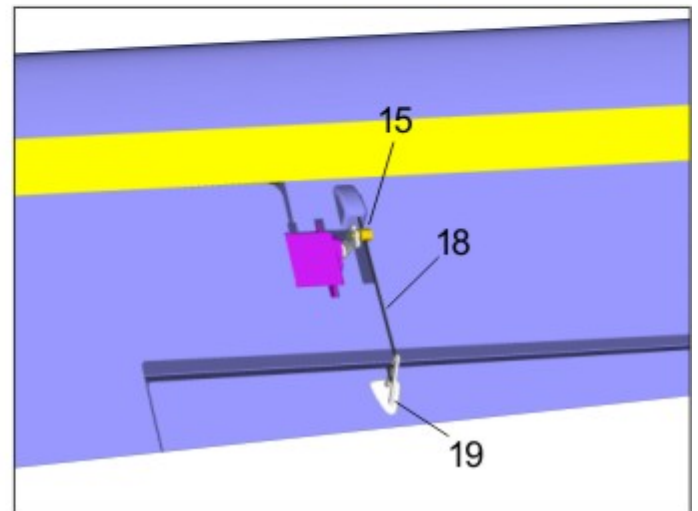
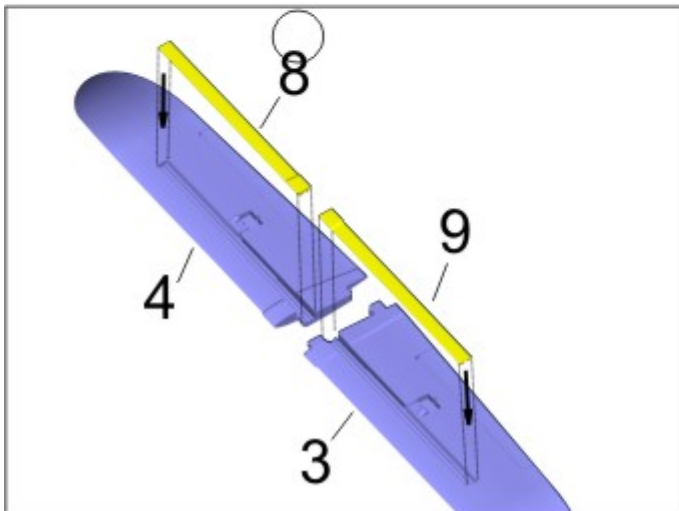
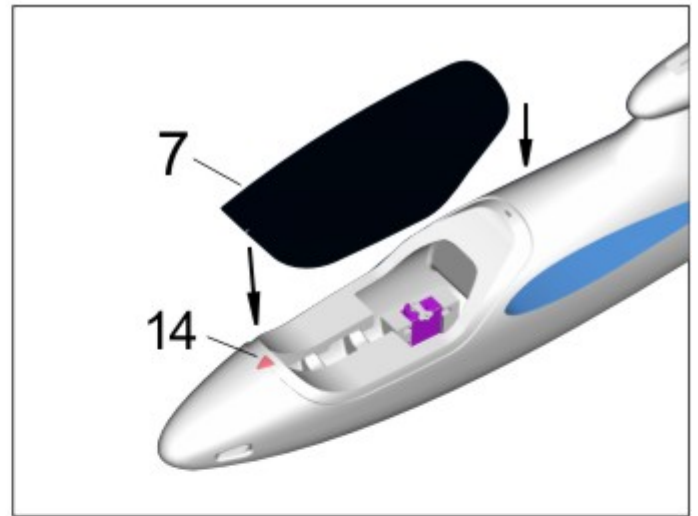
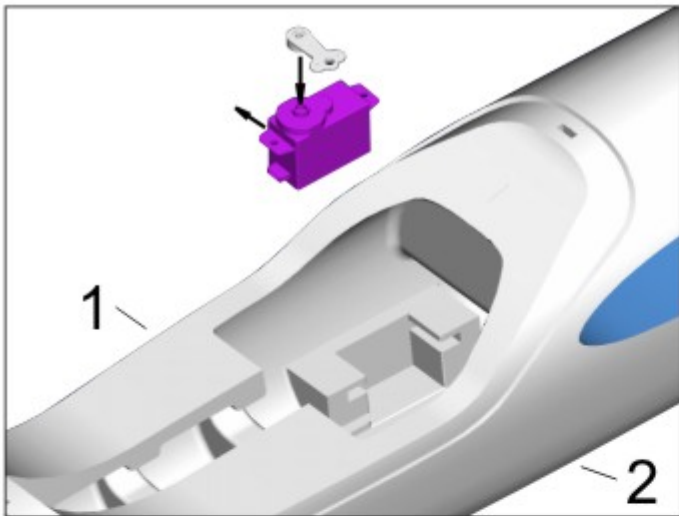
- Sturdy and very smooth body
- Brushless power system, supply plenty power
- Easy to control and assemble(10-15 minutes)

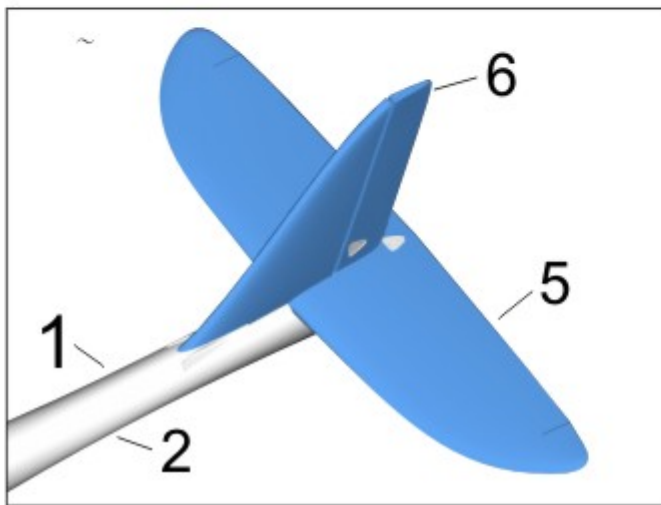
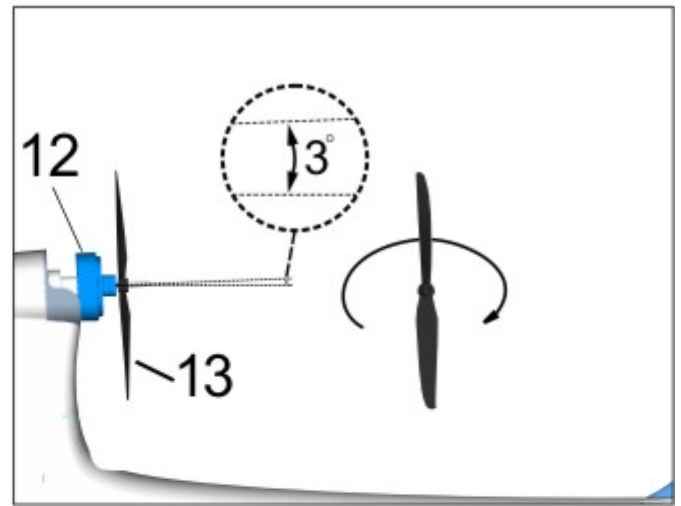
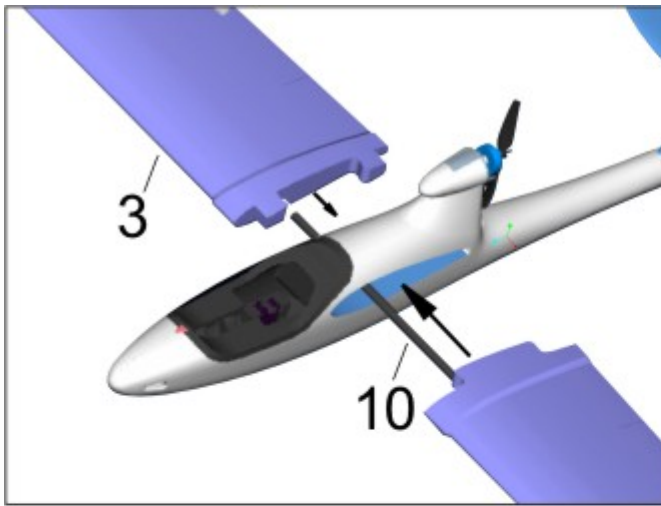




Spare part list

- 1: Left part 2: Right part 3: Left wing
4: Right wing 5: Tail 6: Rudder 7: Canopy
8: Right cover for the carbon shaft
9: Left cover for the carbon shaft
10: Carbon Fiber tube 11: Motor base 12: AX-2208N motor
13: 5*5 prop 14: Fixing of the front hatch
15: Linkage connector 16: Servo extend wire
17: Y connecting wire 18: Aileron steel wire
19: Rudder angle 20: prop saver O ring
21: Fixing of the rudder angle 22: Foam glue





SAFETY PRECAUTIONS

This model is not the toy , some technical requirements is needed.
You must pay attention to the flying environment and operate correctly.

Read this instructions carefully when you assemble and fly.

Children must fly with guardian.

Do not fly in strong winds , rain, or at night .

Do not fly in an area where there are many people.

Do not fly near homes , schools , or hospitals .

Do not fly the near roads , railways or electrical lines.

Do not fly where there is the possibility of frequency interrupt from other gliders.

AXN Model

[Www. rc-model. cn](http://www.rc-model.cn)

MSN/Email: [chinarchobby@gmail. com](mailto:chinarchobby@gmail.com)