



C/NIQUEL 35 NAVE A. 11405
JEREZ DE LA FRONTERA, SPAIN.

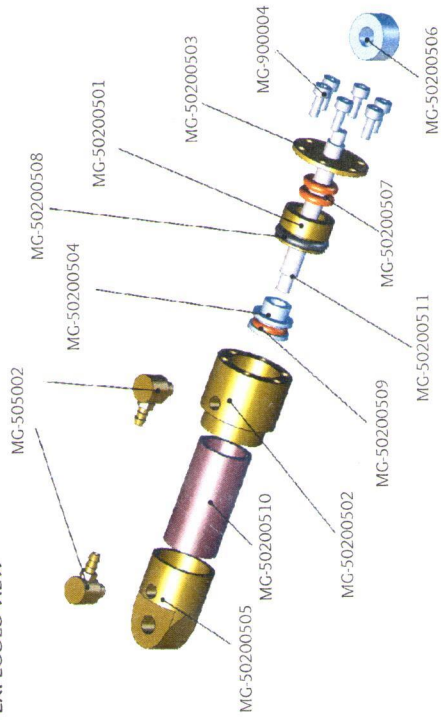
www.magomhrc.com

+34 956 39 78 20

HYDRAULIC CYLINDER 15 MM

MG-502005

EXPLODED VIEW



REF	DESCRIPTION	QTY
MG-50200501	INSIDE PART 15 MM	1
MG-50200502	FRONT CAP 15 MM	1
MG-50200503	WASHER	1
MG-50200504	PISTON 15 MM	1
MG-50200505	REAR CAP	1
MG-50200507	INTERNAL O-RING	2
MG-50200508	EXTERNAL O-RING	1
MG-50200509	PISTON O-RING	1
MG-9000004	SCREWS	6
MG-50200506	SHAFT END	1
MG-505002	90° FITTING	2
MG-50200510	COPPER TUBE	1
MG-50200511	SHAFT	1



Please note that this product is not a toy and not suitable for youngsters under the age of 16. Technical details may be subject to changes and modifications. All images and designs are property of MAGOM HRC. For any doubts or questions, please contact us through www.magomhrc.com.



C/NIQUEL 35 NAVE A. 11405
JEREZ DE LA FRONTERA, SPAIN.

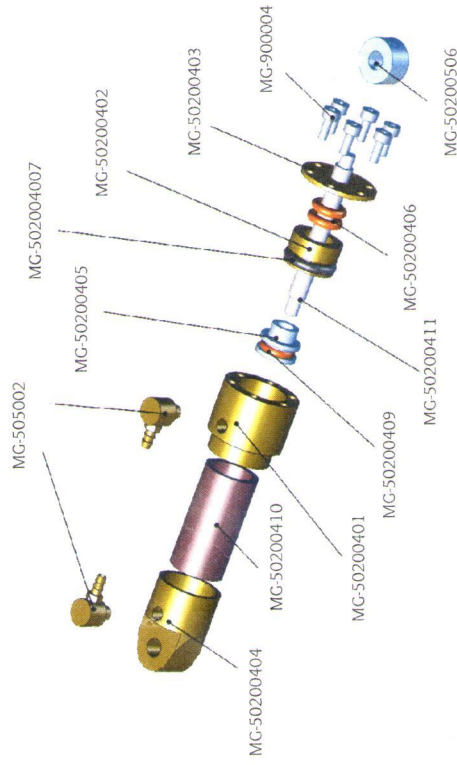
www.magomhrc.com

+34 956 39 78 20

HYDRAULIC CYLINDER 12 MM

MG-502004

EXPLODED VIEW



REF	DESCRIPTION	QTY
MG-50200401	FRONT CAP 12 MM	1
MG-50200402	INSIDE PART 12 MM	1
MG-50200403	WASHER	1
MG-50200404	REAR CAP 12 MM	1
MG-50200405	PISTON 12 MM	1
MG-50200406	INTERNAL O-RING	2
MG-50200407	EXTERNAL O-RING	1
MG-50200409	PISTON O-RING	1
MG-9000004	SCREWS	6
MG-50200506	SHAFT END	1
MG-505002	90° FITTING	2
MG-50200410	COPPER TUBE	1
MG-50200411	SHAFT	1



Please note that this product is not a toy and not suitable for youngsters under the age of 16. Technical details may be subject to changes and modifications. All images and designs are property of MAGOM HRC. For any doubts or questions, please contact us through www.magomhrc.com.



C NIQUEL 35 NAVE A. 11405
JEREZ DE LA FRONTERA, SPAIN.

www.magomhrc.com

+34 956 39 78 20

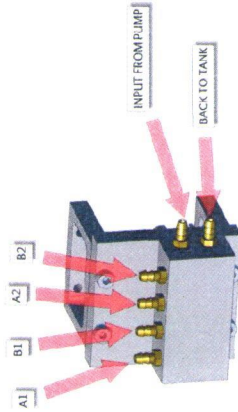
2-WAYS HYDRAULIC VALVE

MG-504002

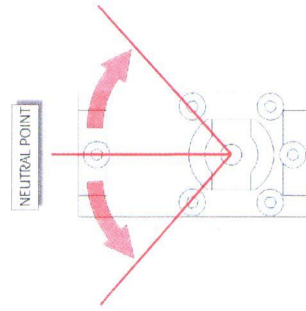
SPECS

2 Ways hydraulic valve.
Working pressure: Up to 30 bars.
We recommend to use MAGOM HRC hydraulic oil.
We recommend to use a Jamara Micro servo (not included).

HYDRAULIC CONNECTIONS



Connect A1 - B1 to hydraulic cylinder 1 and A2 - B2 to hydraulic cylinder 2.



Working angle is about 60°, same as servo angle.
At the neutral point the valve is closed.

Please note that this product is not a toy and not suitable for youngsters under the age of 16. Technical details may be subject to changes and modifications. All images and designs are property of MAGOM HRC. For any doubts or questions, please contact us through www.magomhrc.com.



C NIQUEL 35 NAVE A. 11405
JEREZ DE LA FRONTERA, SPAIN.

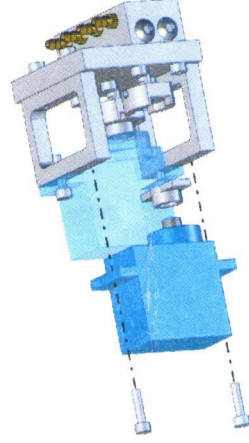
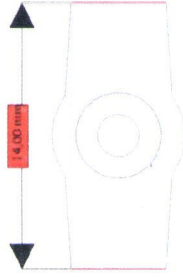
www.magomhrc.com

+34 956 39 78 20

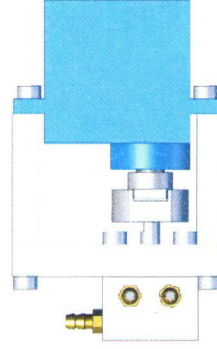
2-WAYS HYDRAULIC VALVE

MG-504002

Cut the servo horn as shown in the picture.
Total length must be 14 mm.



Mount the horn to the servo. Attach the servo to the valve. Servo horn must not press the rotating valve.



Final stage.

Please note that this product is not a toy and not suitable for youngsters under the age of 16. Technical details may be subject to changes and modifications. All images and designs are property of MAGOM HRC. For any doubts or questions, please contact us through www.magomhrc.com.



C/Niquel 35 Navar A. 11405
Jerez de la Frontera, Spain.

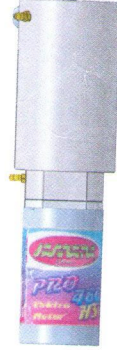
www.magomhrc.com

+34 956 39 78 20

HYDRAULIC PUMP WITH INTEGRATED TANK V1

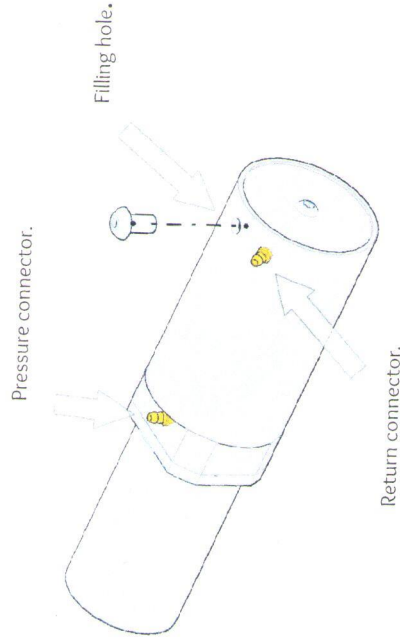
MG-503003

KIT CONTENTS



CAUTION!

- Please do not run the pump continuously. You must use a mix in your transmitter so when you open the valve, the motor runs.
- Use a 7.4 Lipo battery.
- Use a electronic speed controller. (> 30A)
- Use Magom HRC hydraulic oil.



Please note that this product is not a toy and not suitable for youngsters under the age of 16. Technical details may be subject to changes and modifications. All images and designs are property of MAGOM HRC. For any doubts or questions, please contact us through www.magomhrc.com.